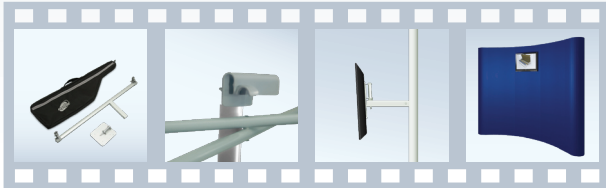


SET UP

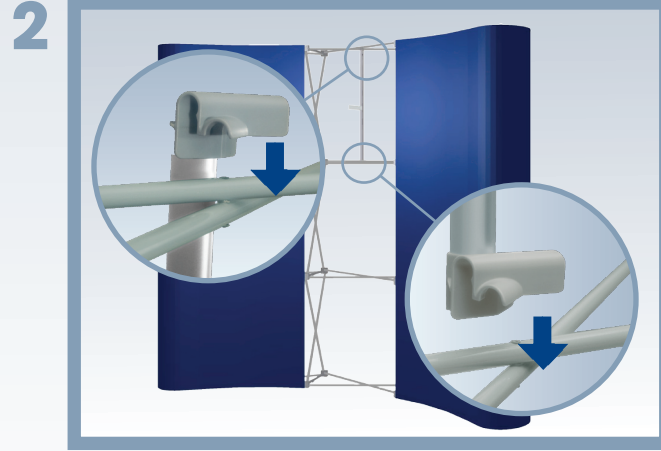
SCREEN HOLDER



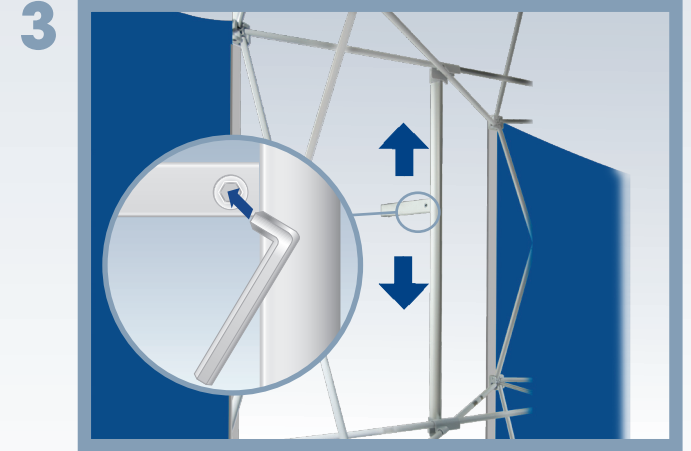
PORTABLE DISPLAYS



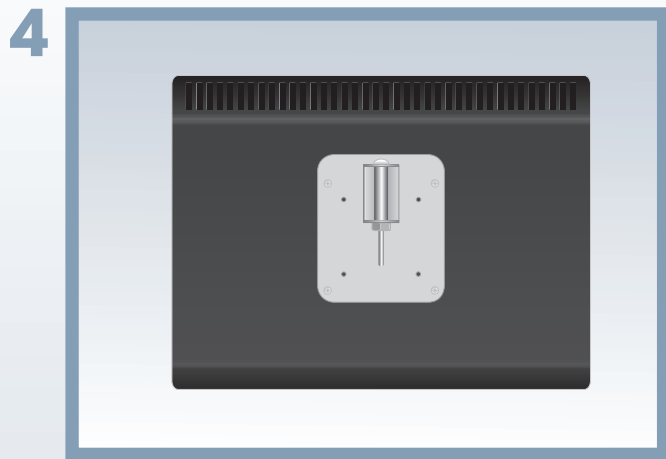
Remove all content from the bag.



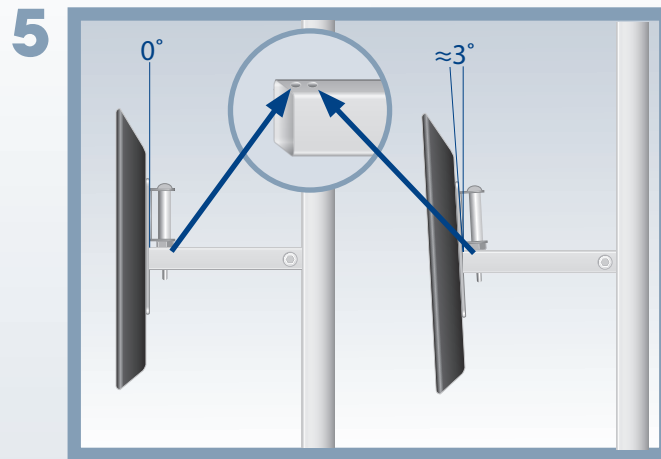
Remove the graphic panel of your choice to get access to the frame. Click firm the upper and lower brackets of the Screen Holder in the cross section of the frame.



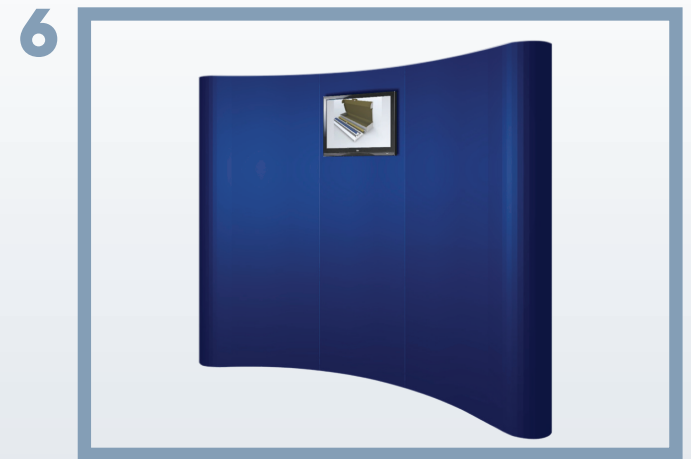
Adjust, with the help of an Allen key, the horizontal stay so that it fits the hole that you have made in the panel. Put the graphic panel back into place.



Screw the fastening plate on the back of the screen. Fits VESA standard 70 and 100



By alternating between the two holes of the horizontal stay, the screen can be hung vertically or slightly tilted.



Make sure the system is stable. We recomend to use the Expolinc stabilizing feet with the Screen Holder.

